

PA 10 B 510

Photoelectric Amplifiers

Standard, Remote Photoelectric Systems



Product Data	
Supply Voltage:	230 V ac
Housing:	11-pole DIN socket
Sensing Range:	60 m
Sensitivity Adjustment:	Manual
Timer:	-
Output:	Relay

Technical Data	
Supply Voltage:	230 V ac
Current Consumption:	Max. 3,2 VA
Housing Material:	Noryl
Power On Indicator:	Green LED
Output Indicator:	Red LED
Hysteresis:	Approx. 40 %
Voltage Tolerance:	+/- 15 %
Output, Relay:	1 open/1 close, 250 V ac/3 A, 120 V ac/5 A
Output, Transistor:	-
LR Sensor Failure Indicator:	-
LT Sensor Failure Indicator:	-
Sensor Monitor LED Drive:	-
Response Time t_{on} / t_{off} , Relay:	50 ms / 50 ms
Response Time t_{on} / t_{off} , Transistor:	-
Signal Level Indicator:	-
Operation Frequency, Relay:	10 Hz
Operation Frequency, Transistor:	-
Delay Time t_{on} / t_{off} :	-
Alarm Output:	-

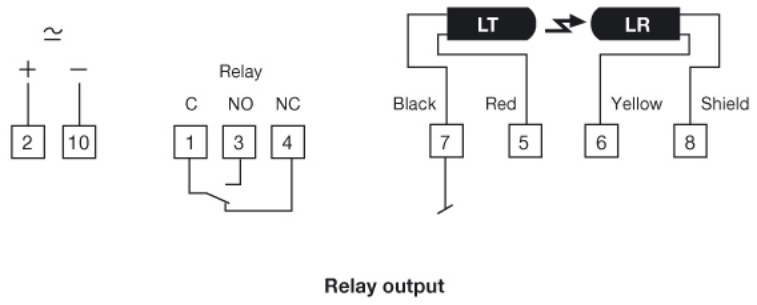
Environmental Data

Operation Temperature:	- 10 to +50 °C
Storage Temperature:	- 40 to +80 °C
Sealing Class:	IP 40

Approvals



Wiring Diagram



Dimensions

